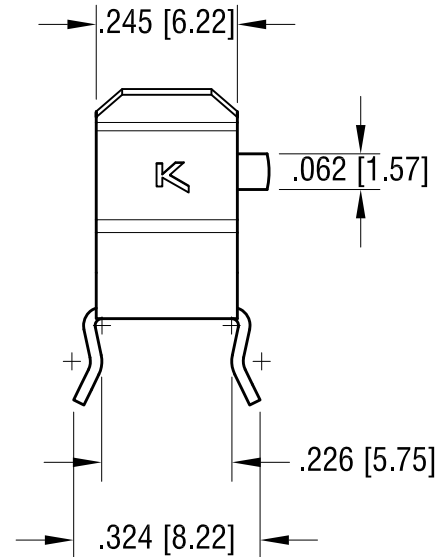
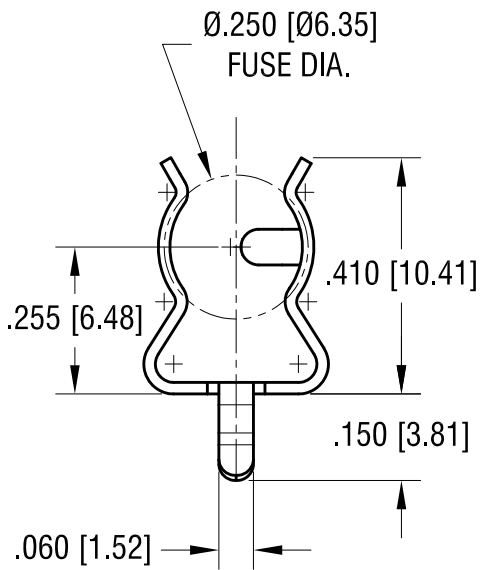
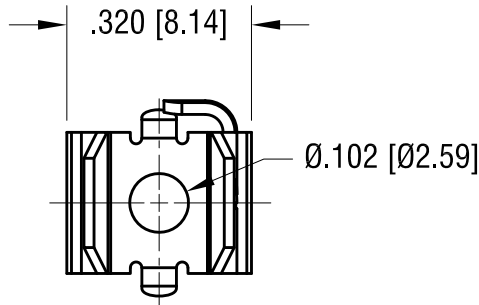
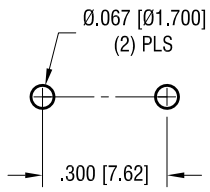


THIS DOCUMENT IS THE PROPERTY OF
KEYSTONE ELECTRONICS CORP. AND
SHALL NOT BE REPRODUCED, DISTRIBUTED
OR USED AS A BASIS FOR MANUFACTURE
WITHOUT PRIOR WRITTEN PERMISSION
FROM KEYSTONE ELECTRONICS CORP.

ACTUAL SIZE



MOUNTING PAD LAYOUT



NOTE:

1. CURRENT RATING: 20A MAX.
2. ROHS AND REACH COMPLIANT

KEYSTONE ELECTRONICS CORP.

www.keyelco.com • NEW HYDE PARK, NY 11040 • Tel (516) 328-7500

PART NAME

FUSE CLIP FOR 1/4" DIA. FUSE.

MATERIAL

.020 [0.50] TH'K BRASS

FINISH

TIN PLATE

DRN BY

NT

DATE

7.19.18

APP'D

LN

SCALE

3X

8.28.19 CHANGE AS PER ECN 19-074

A

TOLERANCES

INCH [MM]
DECIMAL ± .005 [± 0.13]

CODE

C

DWG NO.

3500

ANGULAR ± 1°
UNLESS OTHERWISE SPECIFIED

DATE

DESCRIPTION

REV.