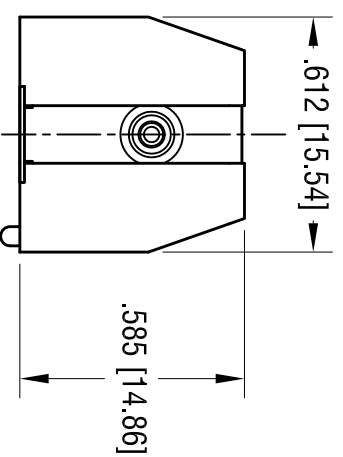
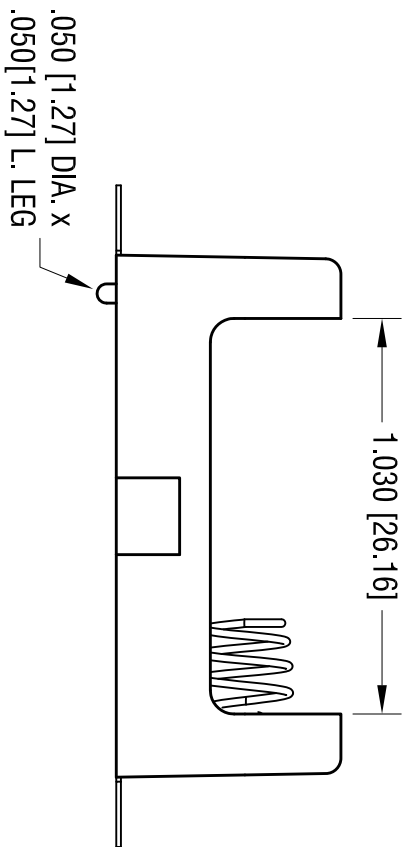
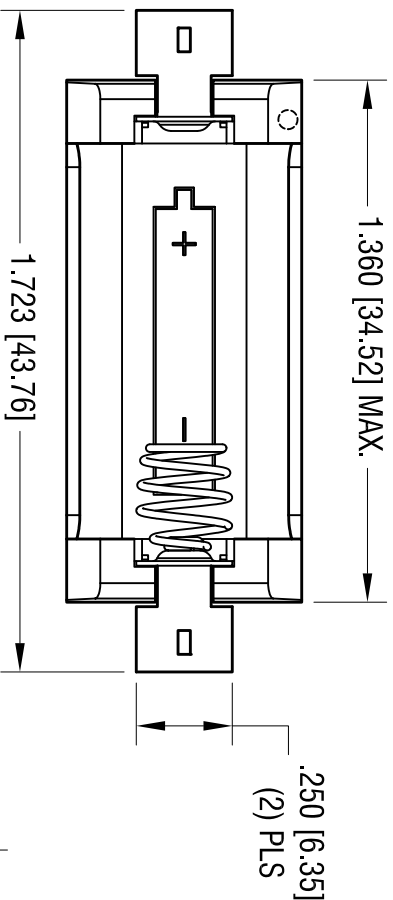
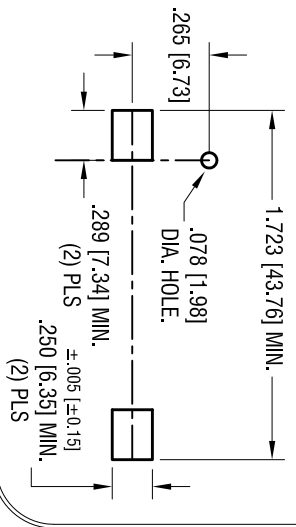
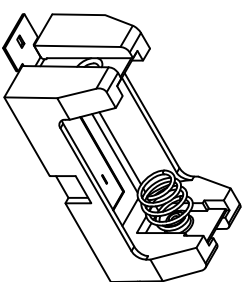


MOUNTING PAD LAYOUT



NOTE:

1. BASE:
MAT'L: HEAT RESISTANCE NYLON
STANLYL 46 OR EQUIVALENT
2. CONTACTS:
MAT'L: BASE-.012 [0.30] THK STAINLESS STEEL
SPRING-.020 [0.50] DIA. MUSIC WIRE
FINISH: GOLD FLASH, OVER NICKEL PLATE.
3. MSL PACKAGING:
PART SUPPLIED ON TRAY, 50 PCS PER TRAY,
200 PCS PER BAG.



THIS DOCUMENT IS THE PROPERTY OF KEYSTONE ELECTRONICS CORP. AND SHALL NOT BE REPRODUCED, DISTRIBUTED OR USED AS A BASIS FOR MANUFACTURE WITHOUT PRIOR WRITTEN PERMISSION FROM KEYSTONE ELECTRONICS CORP.

KEYSTONE ELECTRONICS CORP.			
www.keystec.com • ASTORIA, N.Y. 11105-2017 • Tel (718) 956-8900			
PART NAME		SM BATTERY HOLDER, 1/2 AA	
MATERIAL			
AS NOTED		AS NOTED	
FINISH	AS NOTED	DRN BY	NT
TOLERANCES	INCH [MM]	CODE	DWG NO.
DECIMAL	± .010 [± 0.25]	C	1126
ANGULAR	± 1°		
UNLESS OTHERWISE SPECIFIED			
DATE		SCALE	
10.31.14		2X	

DATE	DESCRIPTION	REV.