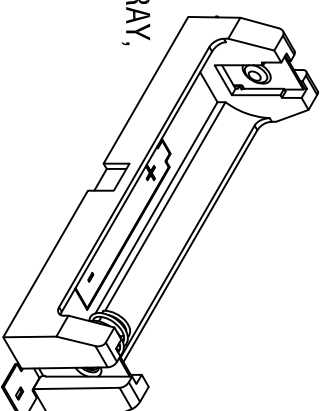
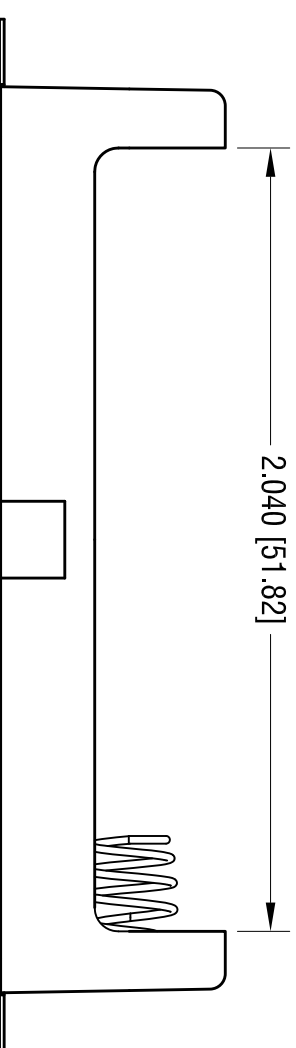
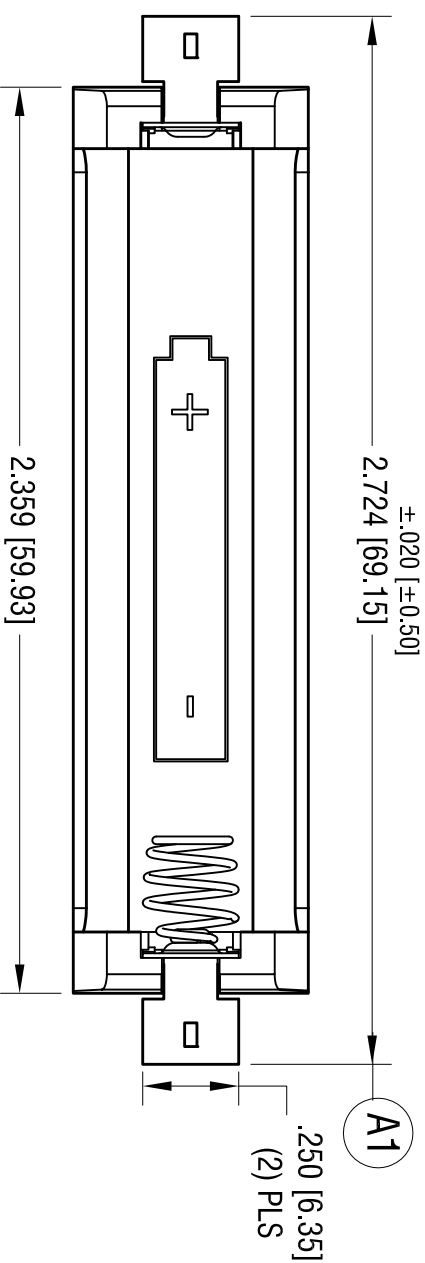
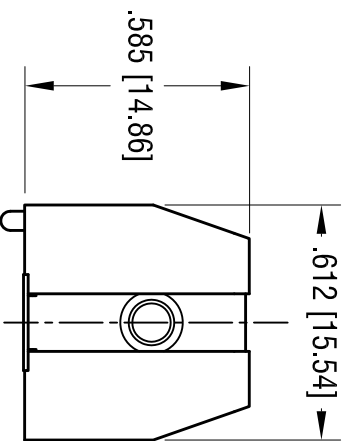
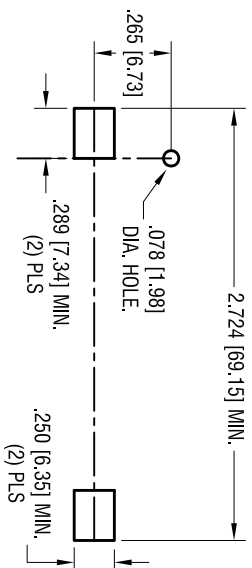


MOUNTING PAD LAYOUT



NOTE:

1. BASE:

MAT'L: HEAT RESISTANCE NYLON
STANVYL 46 OR EQUIVALENT

2. CONTACTS:

MAT'L: BASE-.012 [0.30] THK STAINLESS STEEL
SPRING-.020 [0.50] DIA. MUSIC WIRE
FINISH: GOLD FLASH, OVER NICKEL PLATE.

3. MSL PACKAGING:

PART SUPPLIED ON TRAY, 50 PCS PER TRAY,
200 PCS PER BAG.

DATE	DESCRIPTION	REV.
10.24.19	CHANGE AS PER ECN 19-080	A
	(A1) WAS 2.711 ±.010	

KEYSTONE ELECTRONICS CORP.
www.keystec.com • ASTORIA, N.Y. 11105-2017 • Tel (718) 956-8900

PART NAME

SMT SINGLE BATTERY HOLDER, AA

MATERIAL

AS NOTED

FINISH

AS NOTED

TOLERANCES	INCH	[MM]	CODE	DRN BY	DATE
DECIMAL	± .010	[± 0.25]	C	NT	6.12.14
ANGULAR	± 2.27.13			RH	SCALE 2X
UNLESS OTHERWISE SPECIFIED					

THIS DOCUMENT IS THE PROPERTY OF
KEYSTONE ELECTRONICS CORP. AND
SHALL NOT BE REPRODUCED, DISTRIBUTED
OR USED AS A BASIS FOR MANUFACTURE
WITHOUT PRIOR WRITTEN PERMISSION
FROM KEYSTONE ELECTRONICS CORP.

1088