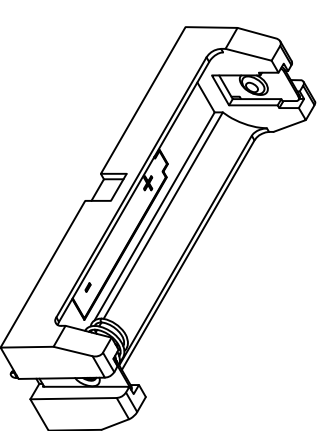
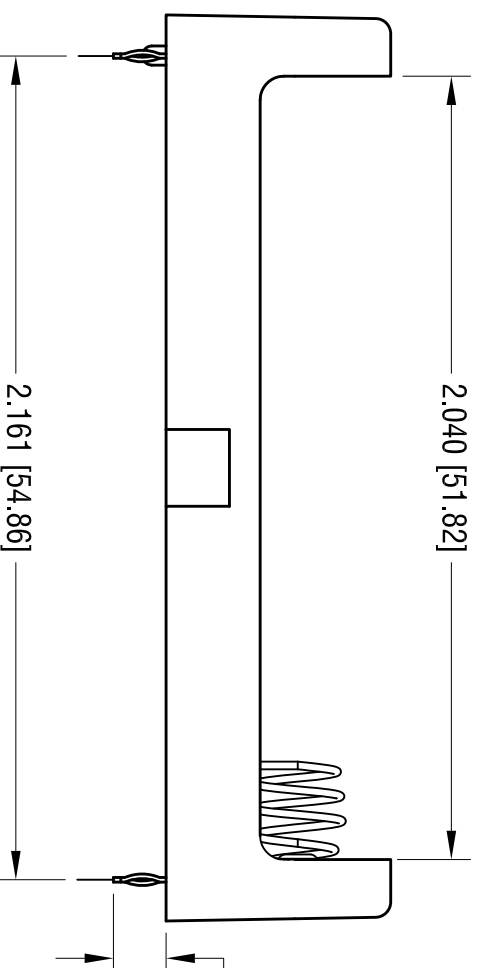
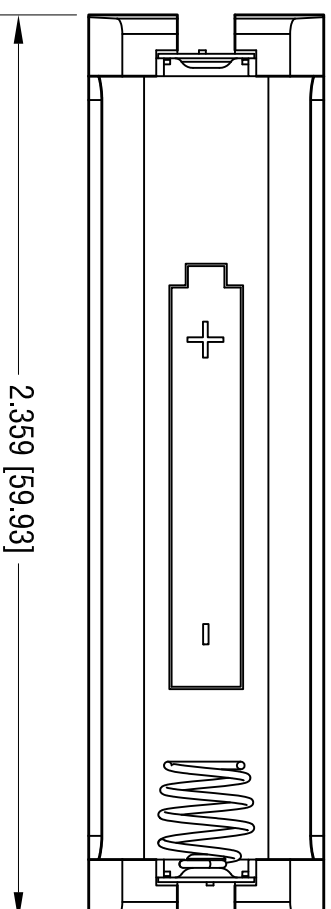
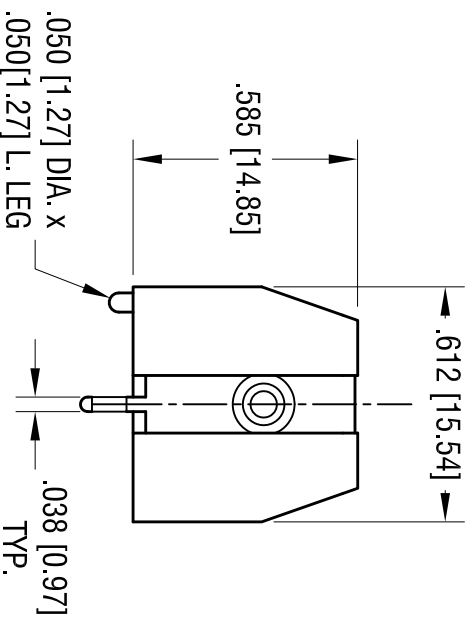
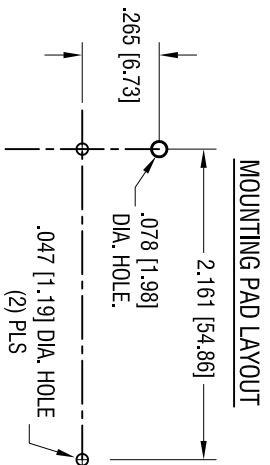


DATE	DESCRIPTION	REV.
1.23.17	CHANGE AS PER ECN 17-009	A
4.06.23	CHANGE AS PER ECN 23-248 BASE MAT'L WAS NYLON (BLACK COLOR)	B



NOTE:
1. BASE:
MATE'L: PBT (GRAY COLOR)
2. CONTACT:
MATE'L: .012 [0.30] THK STAINLESS STEEL
FINISH: NICKEL PLATE.

3. SPECIAL PACKAGING:
PART SUPPLIED ON TRAY, 25 PCS PER TRAY

KEYSTONE ELECTRONICS CORP.

www.keystco.com • NEW HYDE PARK, NY 11040 • Tel (516) 328-7500

PART NAME

THM BATTERY HOLDER, 'AA'

MATERIAL

AS NOTED

FINISH

AS NOTED

TOLERANCES	INCH	[MM]
DECIMAL	± .010	[± 0.25]
ANGULAR	± 1°	

CODE C

DWG NO. 1087

DRN BY NT DATE 6.12.14

App'D RH SCALE 2X

THIS DOCUMENT IS THE PROPERTY OF KEYSTONE ELECTRONICS CORP. AND SHALL NOT BE REPRODUCED, DISTRIBUTED OR USED AS A BASIS FOR MANUFACTURE WITHOUT PRIOR WRITTEN PERMISSION FROM KEYSTONE ELECTRONICS CORP.