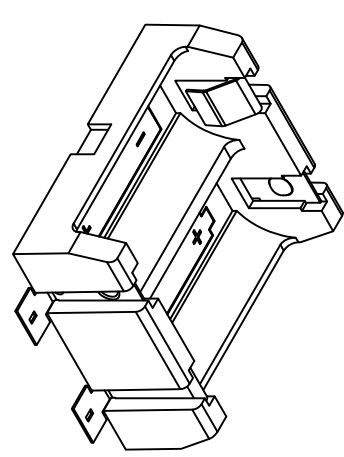
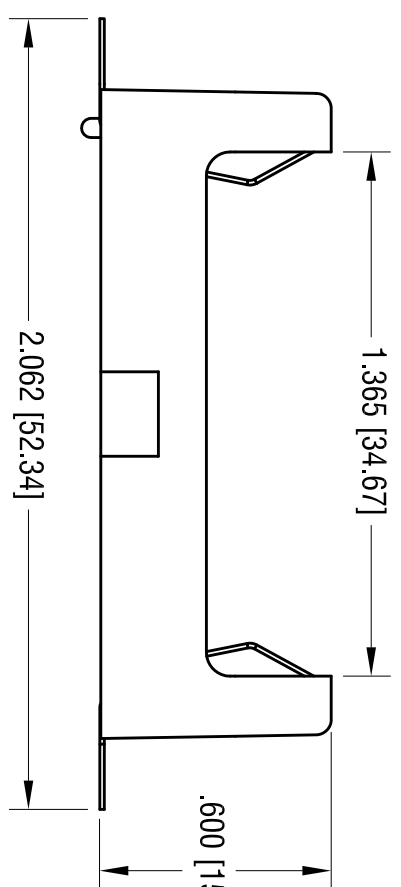
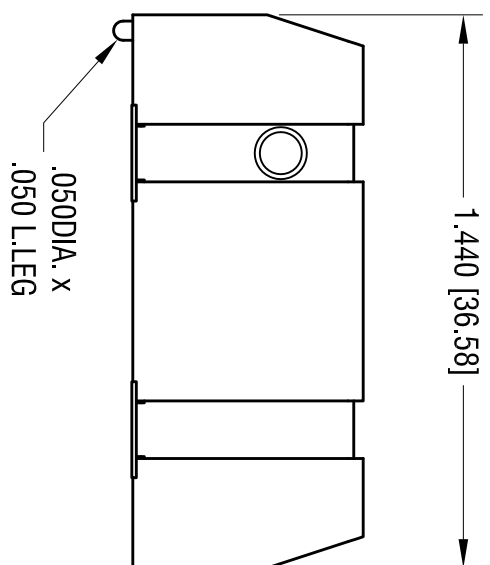
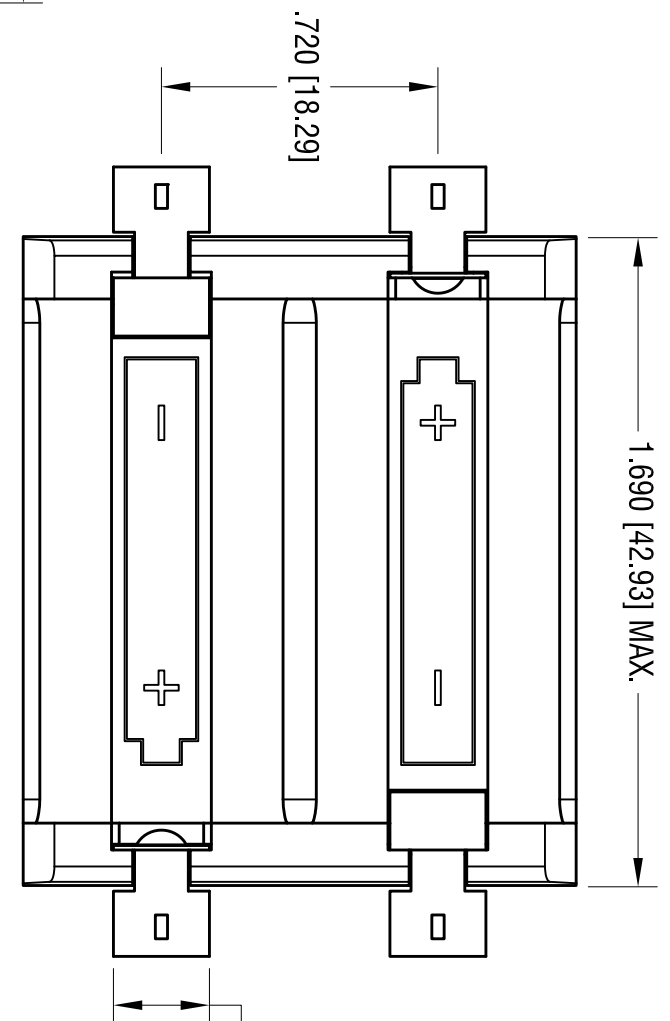
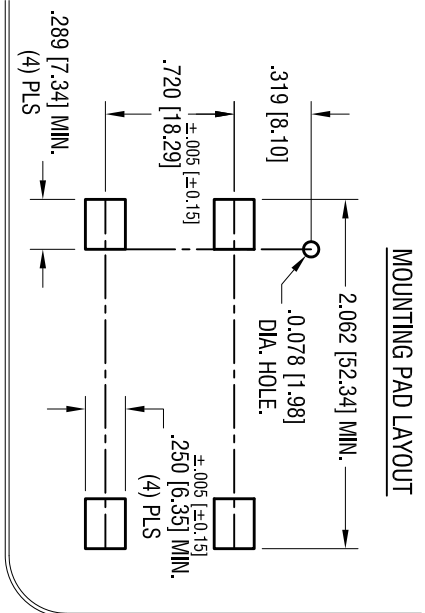


MOUNTING PAD LAYOUT



ACTUAL SIZE

NOTE:

- 1. BASE: MATL: HEAT RESISTANCE NYLON (UL94V-0) STANYL 46 OR EQUIVALENT
- 2. CONTACT: MATL: .012 [0.30] THK STAINLESS STEEL FINISH: GOLD FLASH, OVER NICKEL PLATE.

- 3. MSL PACKAGING: PART SUPPLIED ON TRAY, 25 PCS PER TRAY, 100 PCS PER BAG.

DATE	DESCRIPTION	REV.

KEYSTONE ELECTRONICS CORP.
 www.kevelco.com • ASTORIA, N.Y. 11105-2017 • Tel (718) 956-8900

PART NAME
 SM POLARIZED HOLDER, (2) CR123A

MATERIAL
 AS NOTED

FINISH
 AS NOTED

TOLERANCES	INCH	[MM]	CODE	DWG NO.
DECIMAL	± .010	[±	C	1080
ANGULAR	± 1°]		

THIS DOCUMENT IS THE PROPERTY OF KEYSTONE ELECTRONICS CORP. AND SHALL NOT BE REPRODUCED, DISTRIBUTED OR USED AS A BASIS FOR MANUFACTURE WITHOUT PRIOR WRITTEN PERMISSION FROM KEYSTONE ELECTRONICS CORP.

DRN BY: HAMILTON
 App'D: RH
 DATE: 1.19.12
 SCALE: 2X