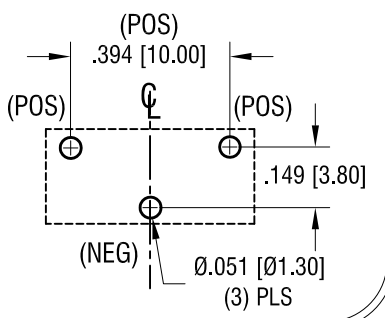
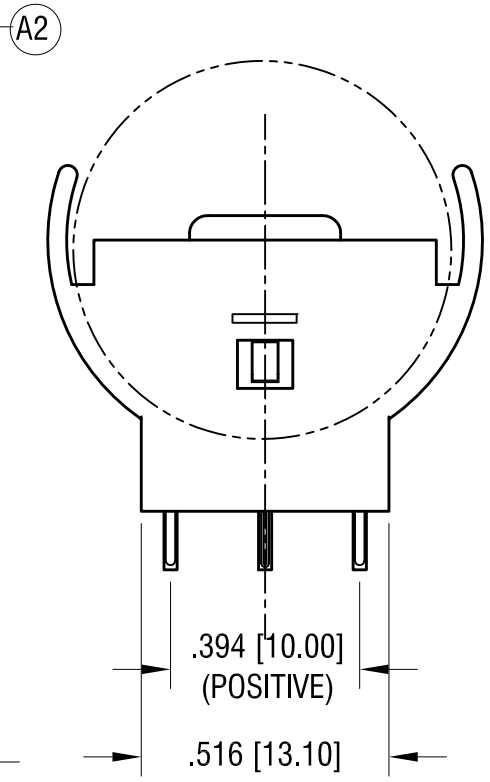
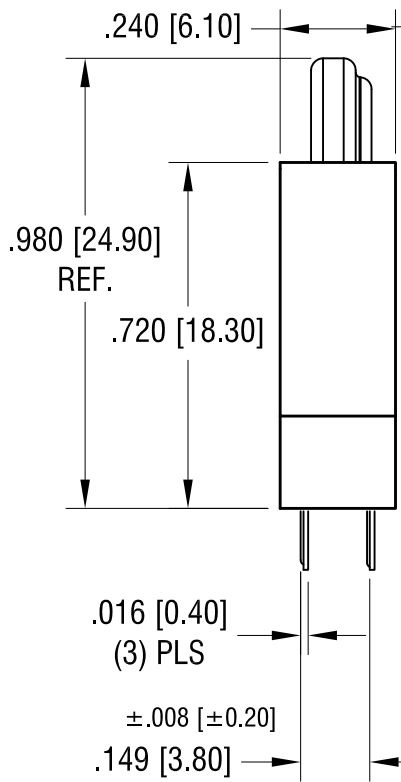
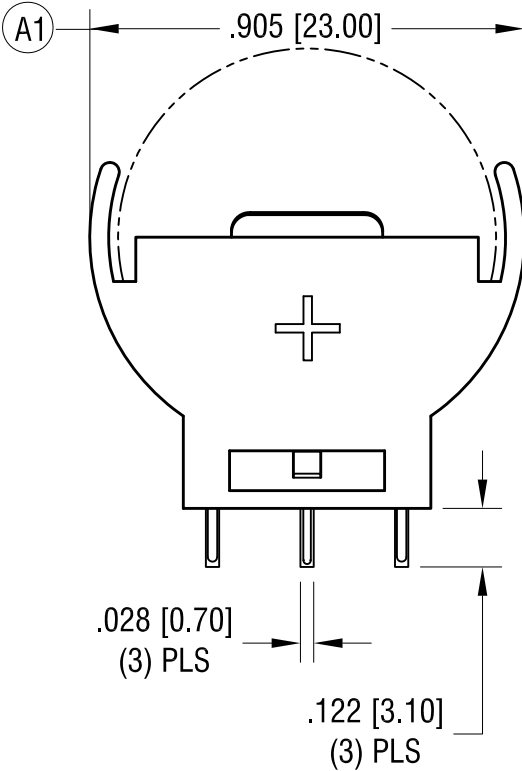
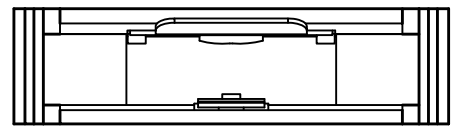
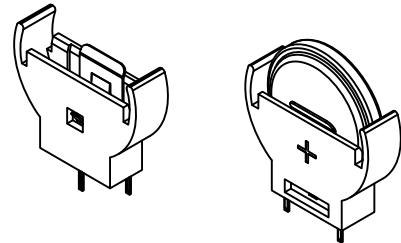


THIS DOCUMENT IS THE PROPERTY OF KEYSTONE ELECTRONICS CORP. AND SHALL NOT BE REPRODUCED, DISTRIBUTED OR USED AS A BASIS FOR MANUFACTURE WITHOUT PRIOR WRITTEN PERMISSION FROM KEYSTONE ELECTRONICS CORP.

MTG LAYOUT



ACTUAL SIZE



NOTE:

- HOUSING: PA (BLACK COLOR), UL94-V0
- CONTACT: MAT'L- .010 [0.25] TH'K BRASS, C2680
FINISH-TIN PLATING

| | | |
|---------|--|------|
| 4.22.19 | ADD FLAMMABILITY CHANGE AS PER ECN 19-044 | B |
| 5.10.18 | (A1) WAS .897, (A2) WAS .248 CHANGE AS PER ECN 18-022 | A |
| DATE | DESCRIPTION | REV. |

| | | | |
|--|--------------|--------------|-----------------|
| KEYSTONE ELECTRONICS CORP. | | | |
| www.keyelco.com • NEW HYDE PARK, NY 11040 • Tel (516) 328-7500 | | | |
| PART NAME COIN CELL VERTICAL THM HOLDER, CR2032 | | | |
| MATERIAL AS NOTED | | | |
| FINISH AS NOTED | | DRN BY NT | DATE 5.10.18 |
| | | APP'D RH | SCALE 2.5X |
| TOLERANCES | INCH [MM] | CODE | DWG NO. |
| DECIMAL | ±.010 [±.25] | C | 1074 |
| ANGULAR | ± 1° | | |
| UNLESS OTHERWISE SPECIFIED | | | |