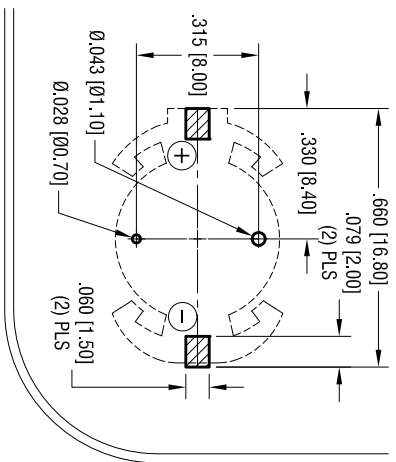
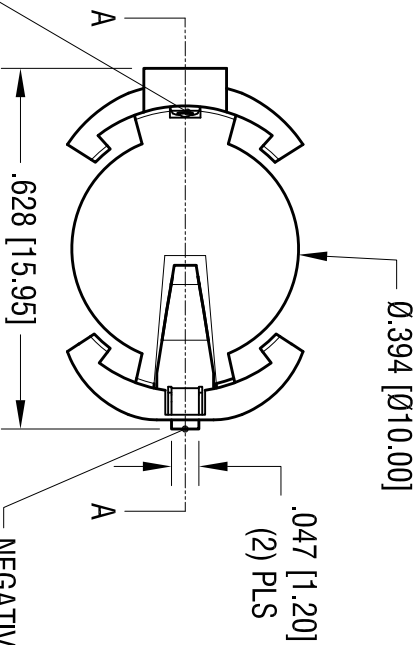


DATE	DESCRIPTION	REV.
9.18.20	CHANGE AS PER ECN 20-083 WAS 700 PCS PER 13" REEL	A
4.20.21	CHANGE AS PER ECN 21-038 WAS 1020 PCS PER REEL	B

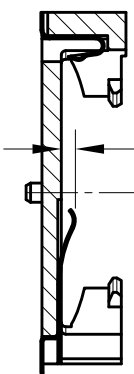
ACTUAL SIZE



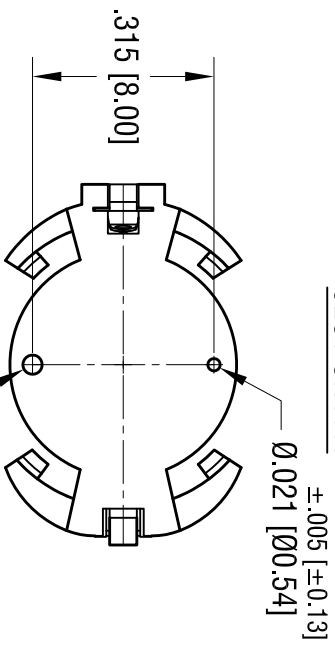
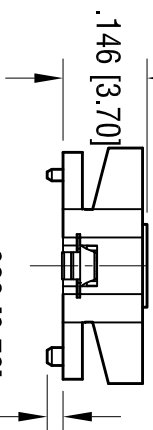
POSITIVE CONTACT



NEGATIVE CONTACT



SECTION A-A

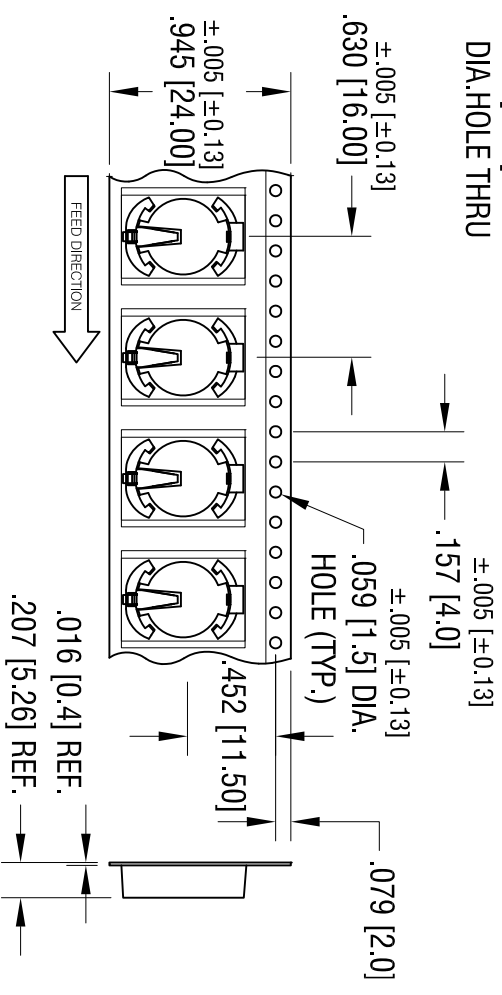
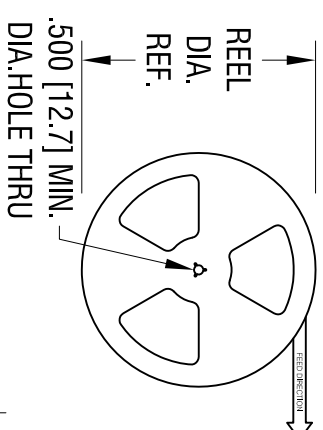


NOTES:  
TAPE AND REEL SPECIFICATIONS:

1. TAPE:  
MATERIAL - ALL CONDUCTIVE POLYSTYRENE CARRIER  
ANSI/EIA-481 STANDARD
2. REEL:  
15.0 [380.8] DIA. 1000 PIECES OF  
PART NO. 1072 PER REEL.

HOLDER SPECIFICATIONS:

1. HOUSING: MATERIAL- PLASTIC PA9T, BLACK
2. CONTACTS: MATERIAL- PHOSPHOR BRONZE  
FINISH: CONTACT AREA- GOLD FLASH  
SOLDER AREA- MATTE TIN PLATE



**KEYSTONE ELECTRONICS CORP.**

www.keystone.com • NEW HYDE PARK, NY 11040 • Tel (516) 328-7500

PART NAME

BATTERY HOLDER CR1220 / 1225

MATERIAL

AS NOTED

FINISH

AS NOTED

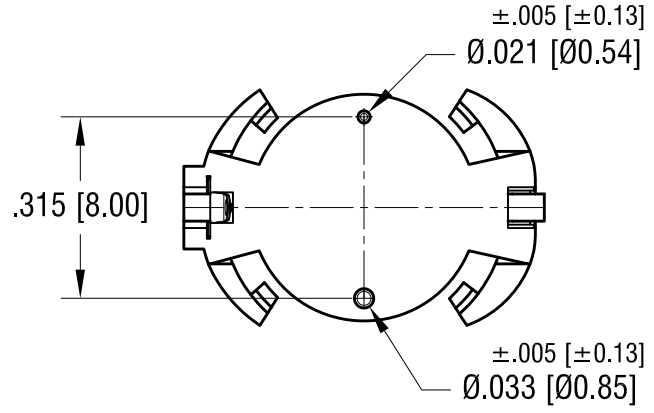
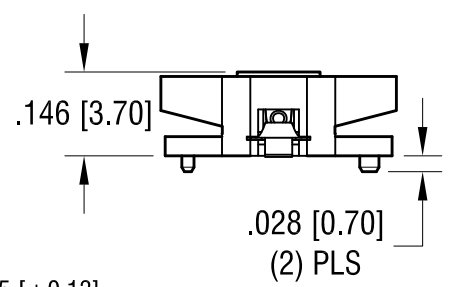
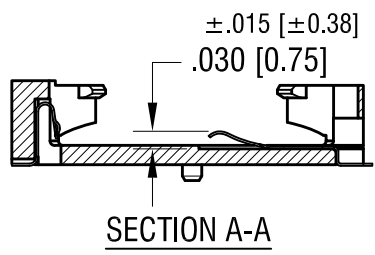
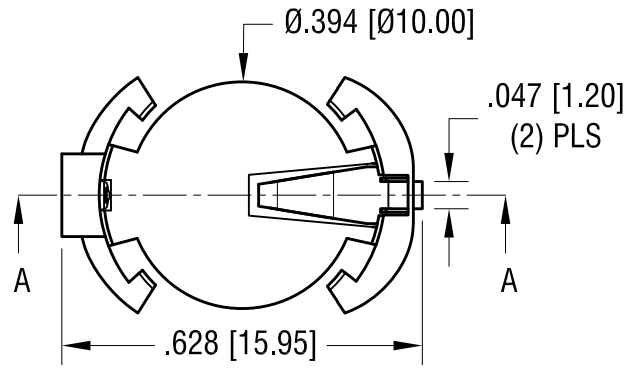
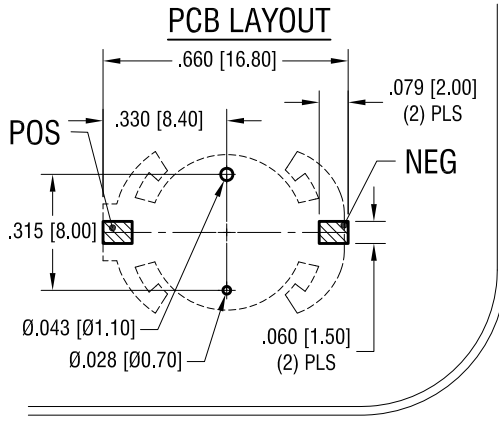
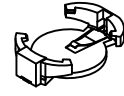
TOLERANCES	INCH	[MM]	CODE	DWG NO.
DECIMAL	± .010	[± 0.25]	C	
ANGULAR	± 1°			

1072TR

THIS DOCUMENT IS THE PROPERTY OF KEYSTONE ELECTRONICS CORP. AND SHALL NOT BE REPRODUCED, DISTRIBUTED OR USED AS A BASIS FOR MANUFACTURE WITHOUT PRIOR WRITTEN PERMISSION FROM KEYSTONE ELECTRONICS CORP.

THIS DOCUMENT IS THE PROPERTY OF KEYSTONE ELECTRONICS CORP. AND SHALL NOT BE REPRODUCED, DISTRIBUTED OR USED AS A BASIS FOR MANUFACTURE WITHOUT PRIOR WRITTEN PERMISSION FROM KEYSTONE ELECTRONICS CORP.

**ACTUAL SIZE**



**NOTE:**

1. HOUSING: MAT'L- PA9T, BLACK COLOR
  2. CONTACTS: MAT'L- PHOSPHOR BRONZE
- FINISH: CONTACT AREA- GOLD FLASH  
SOLDER AREA- MATTE TIN PLATE

<b>KEYSTONE ELECTRONICS CORP.</b>			
www.keyelco.com • NEW HYDE PARK, NY 11040 • Tel (516) 328-7500			
PART NAME			
BATTERY HOLDER CR1220 / 1225			
MATERIAL			
AS NOTED			
FINISH		DRN BY	DATE
AS NOTED		NT	5.29.19
		APP'D	SCALE
		RH	3X
TOLERANCES	INCH	[MM]	CODE
DECIMAL	± .010	[± 0.25]	C
ANGULAR	± 1°		
UNLESS OTHERWISE SPECIFIED			
DATE	DESCRIPTION	REV.	1072